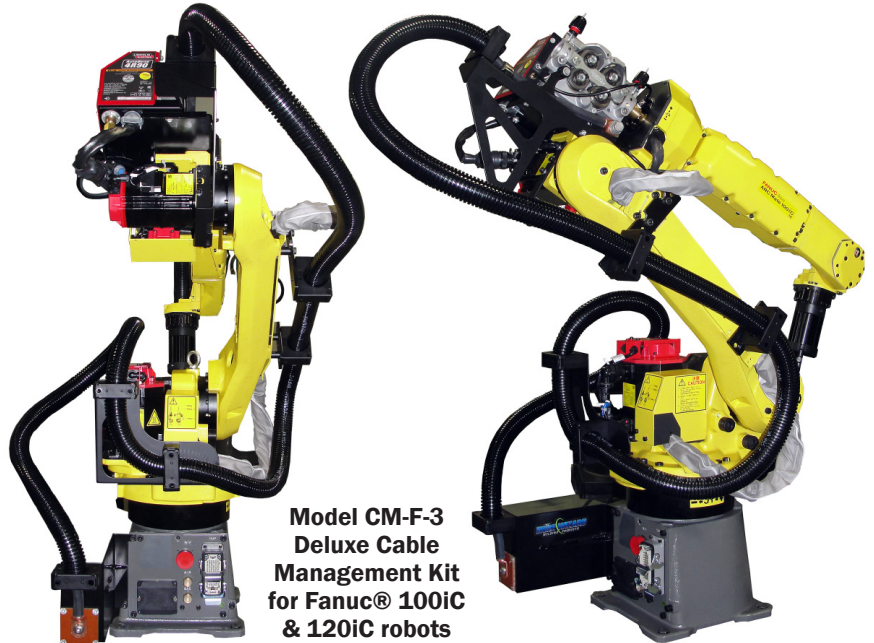


Secure & Protect Cables with WizardGear™ Cable Management Kits

WizardGear™ robot cable management products provide organization, support and protection for all lines and cables attached to robots. Keep cables free from damage that can cause unnecessary downtime and costly repairs. **Using zip ties or other poor methods of attachment can even void the warranty on your control cables.** Cable organizers are currently available for Fanuc® ARC Mate robots. Custom cable management solutions are available for other robot manufacturers. The WizardGear™ product line includes cable & conduit organizers, conduit balancers, spatter resistant cable sleeves and conduit hangers.



Model CM-F-3 Deluxe Cable Management Kit for Fanuc® 100iC & 120iC robots

WizardGear™ Cable Management System installed on a Fanuc® 100iC Robot (kit includes 3/0 welding cable)

WizardGear™ Features & Benefits:

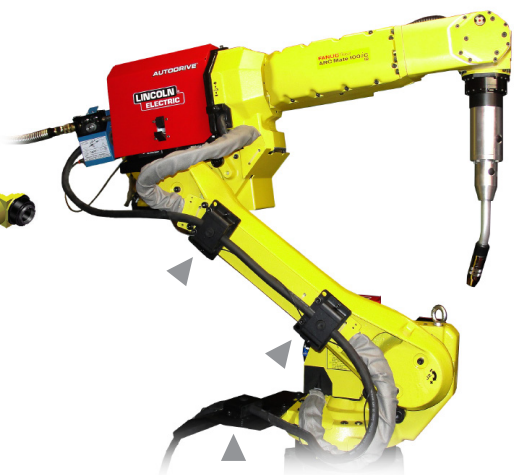
- ▶ Provides organization, support and protection for all lines and cables attached to robots
- ▶ Keep cables free from damage that can cause unnecessary downtime and costly repairs
- ▶ Approved by Fanuc® for securing & protecting control cables, other attachment methods may void warranty on cables
- ▶ Cable & Conduit Balancers, as well as Spatter-Resistant Cable Sleeves also available
- ▶ Custom cable management solutions available for other robot models



Model CM-F-1-ID Deluxe Cable Management Kit for New Fanuc® 100iD Robots

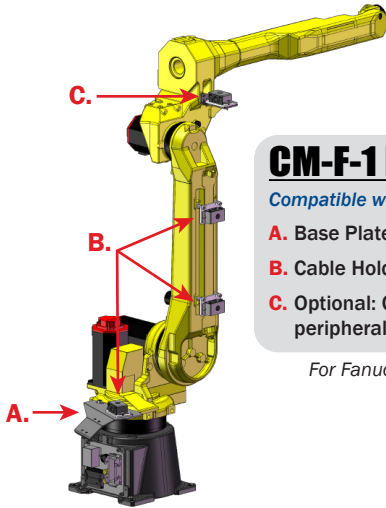


Model CM-F-3-MH Deluxe Cable Management Kit for Fanuc® iC Robots with Part Grippers



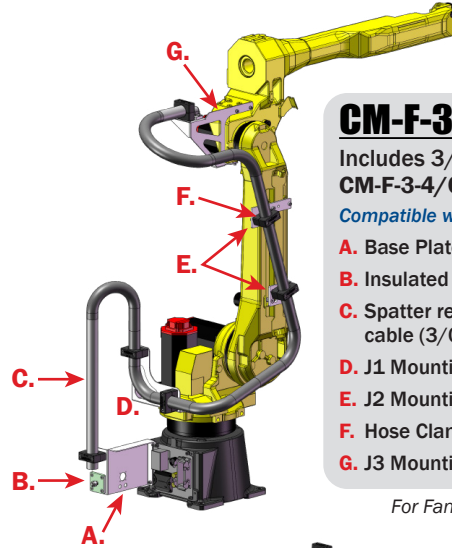
Model CM-F-1 Basic Cable Management Kit for Fanuc® 100iC & 120iC Robots

Cable Management Kit Options and Components



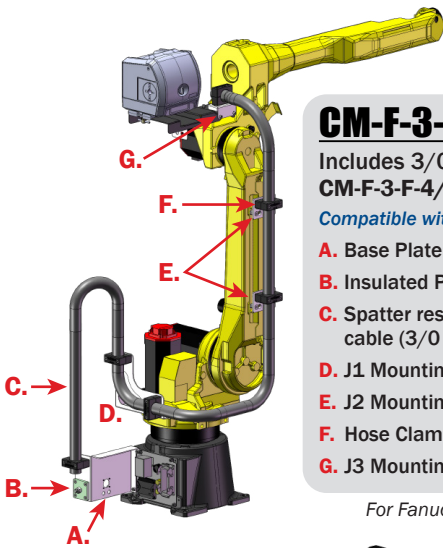
CM-F-1 Kit
Compatible with any wire feeder
A. Base Plate Bracket
B. Cable Holder Assembly (3)
C. Optional: CM-F-2 kit for additional robot peripherals

For Fanuc® 100iC or 120iC Robots



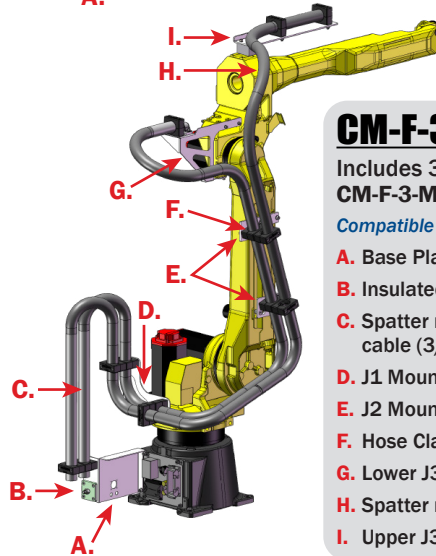
CM-F-3 Kit
Includes 3/0 power cable, order model CM-F-3-4/0 for 4/0 cable
Compatible with Lincoln Electric® wire feeders
A. Base Plate Bracket
B. Insulated Power Lug Connection Point
C. Spatter resistant tubing with 11 ft power cable (3/0 or 4/0)
D. J1 Mounting Bracket
E. J2 Mounting Brackets (2)
F. Hose Clamps (6)
G. J3 Mounting Bracket

For Fanuc® 100iC or 120iC Robots



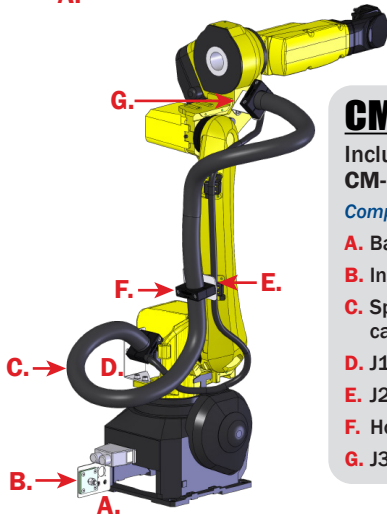
CM-F-3-F Kit
Includes 3/0 power cable, order model CM-F-3-F-4/0 for 4/0 cable
Compatible with Fronius® wire feeders
A. Base Plate Bracket
B. Insulated Power Lug Connection Point
C. Spatter resistant tubing with 11 ft power cable (3/0 or 4/0)
D. J1 Mounting Bracket
E. J2 Mounting Brackets (2)
F. Hose Clamps (6)
G. J3 Mounting Bracket

For Fanuc® 100iC or 120iC Robots



CM-F-3-MH Kit
Includes 3/0 power cable, order model CM-F-3-MH-4/0 for 4/0 cable
Compatible with Lincoln Electric® wire feeders
A. Base Plate Bracket
B. Insulated Power Lug Connection Point
C. Spatter resistant tubing with 11 ft power cable (3/0 or 4/0)
D. J1 Mounting Bracket
E. J2 Mounting Brackets (2)
F. Hose Clamps (13)
G. Lower J3 Mounting Bracket
H. Spatter resistant tubing for control cables
I. Upper J3 Mounting Bracket

For Fanuc® 100iC or 120iC Robots



CM-F-1-ID Kit
Includes 3/0 power cable, order model CM-F-1-ID-4/0 for 4/0 cable
Compatible with most wire feeders
A. Base Plate Bracket
B. Insulated Power Lug Connection Point
C. Spatter resistant tubing with 9 ft power cable (3/0 or 4/0)
D. J1 Mounting Bracket
E. J2 Mounting Bracket
F. Hose Clamps (3)
G. J3 Mounting Bracket

For Fanuc® 100iD Robots

Custom Cable Management Kits

Need a custom cable management solution for your welding application? Contact customer service with your specifications for more details.